

1984 5.7L TBI VIN 8 ENGINE SCHEMATIC

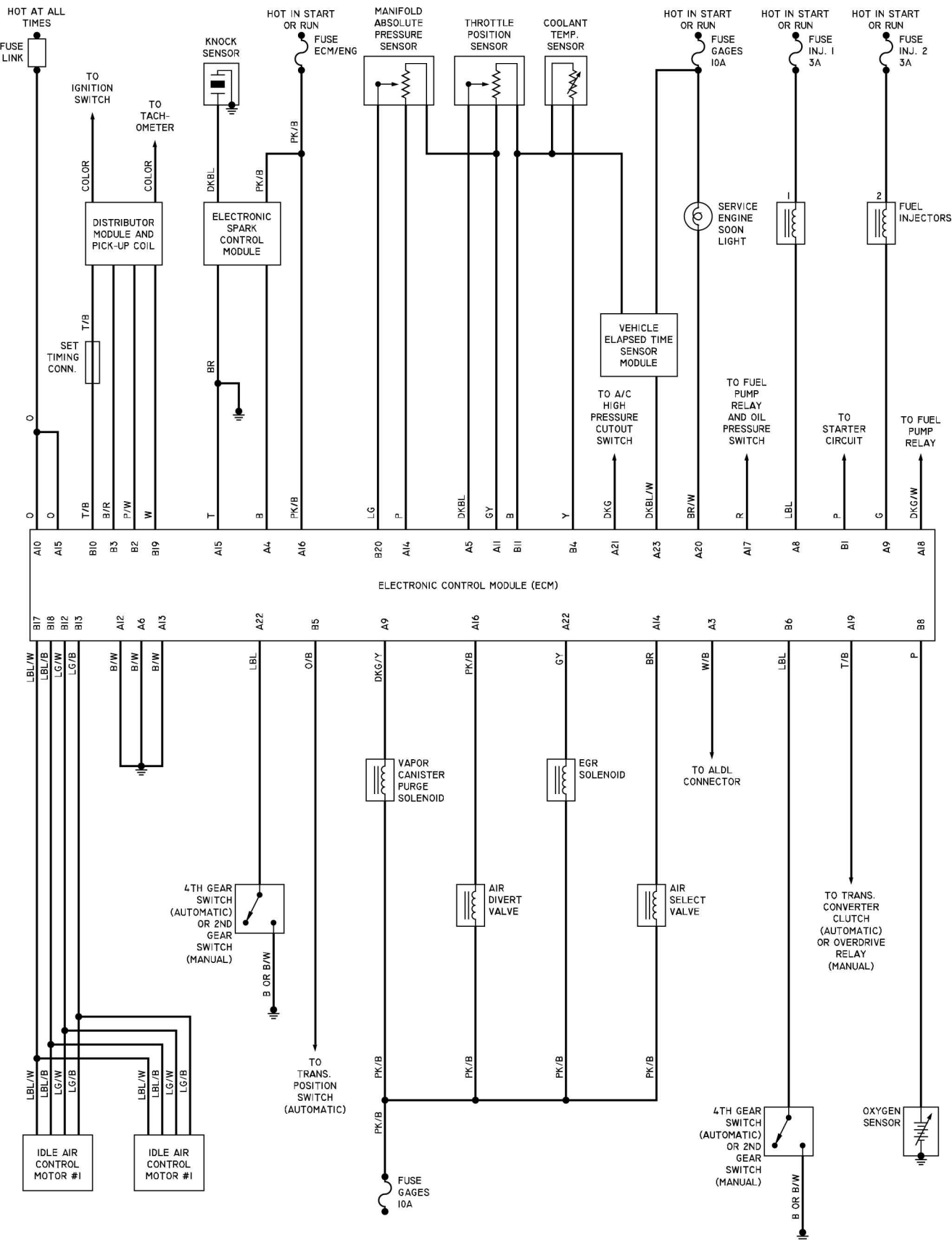


DIAGRAM 3