

1985-1989 5.7L TPI VIN 8 ENGINE SCHEMATIC

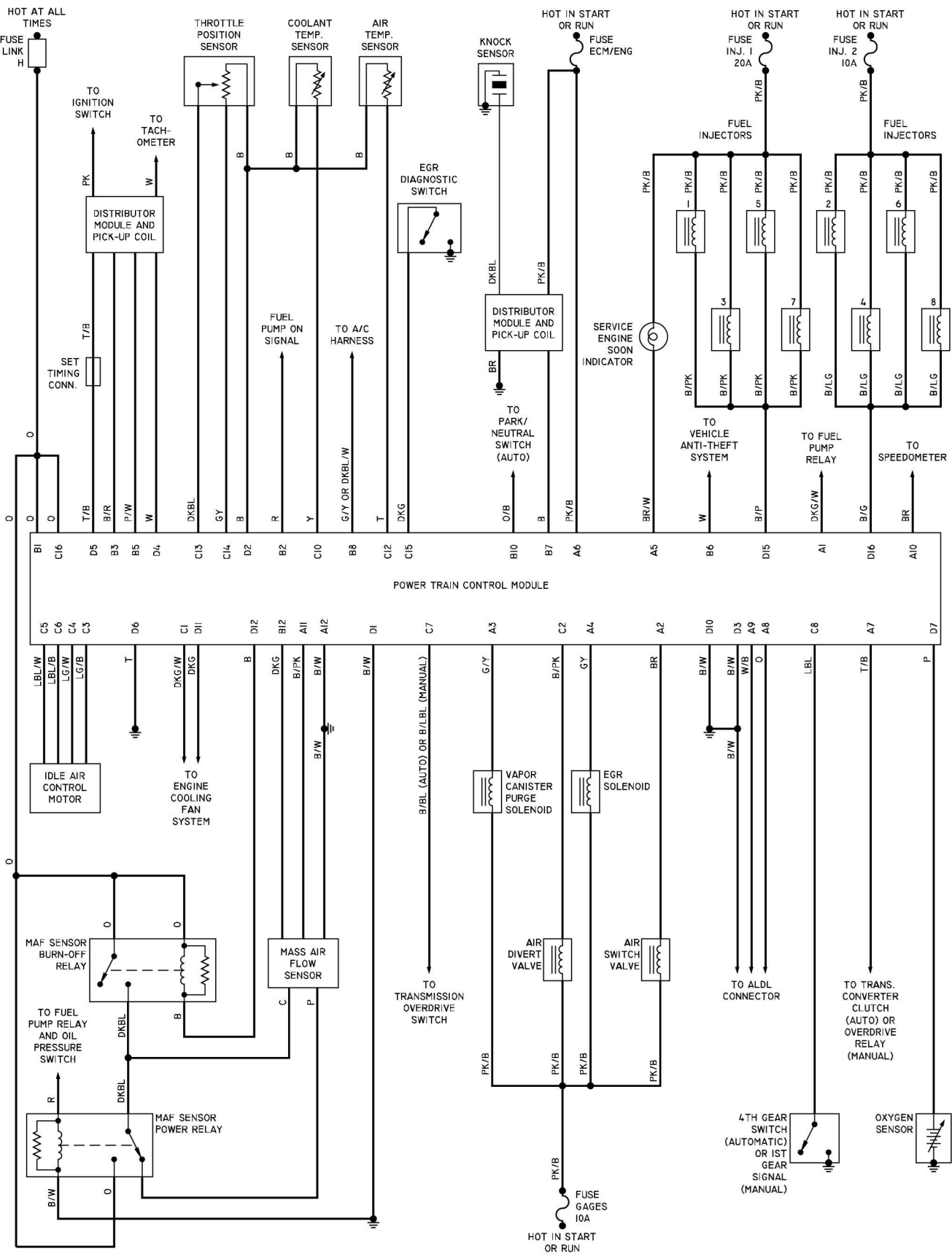


DIAGRAM 4